

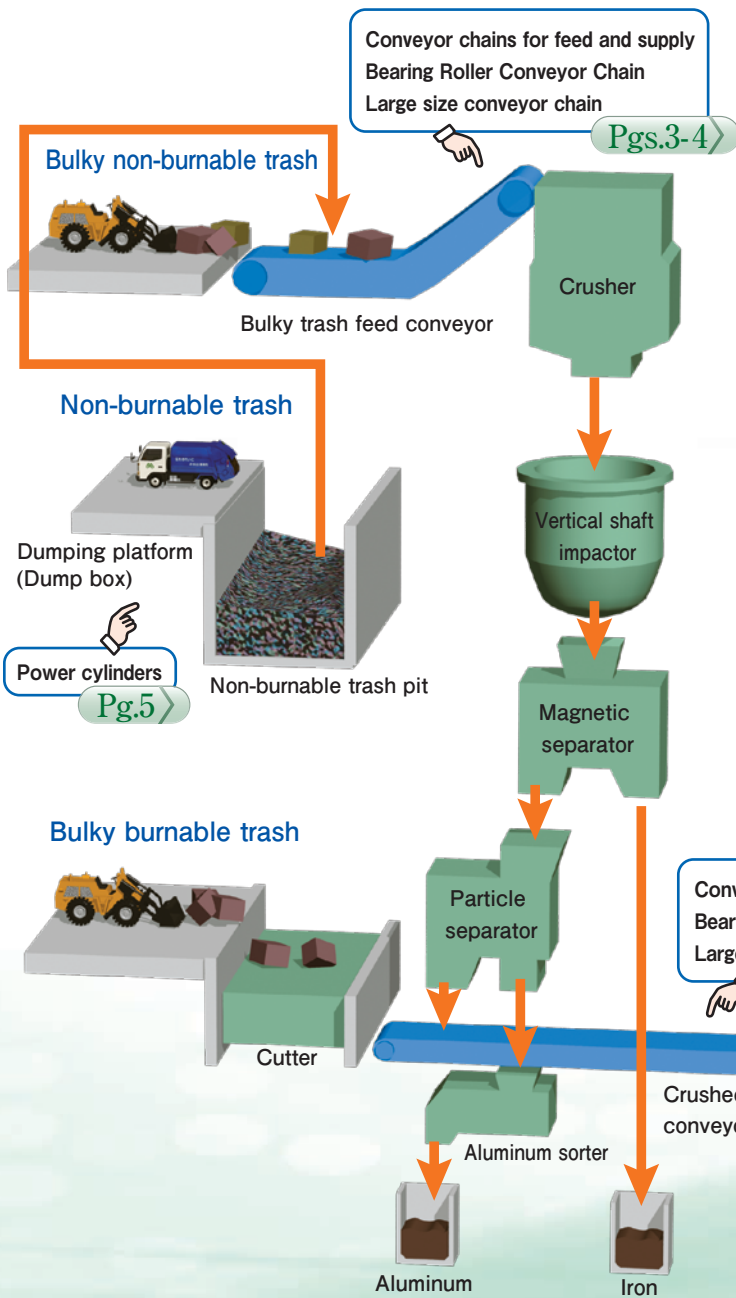
# Power and Performance for Waste Incineration Plants



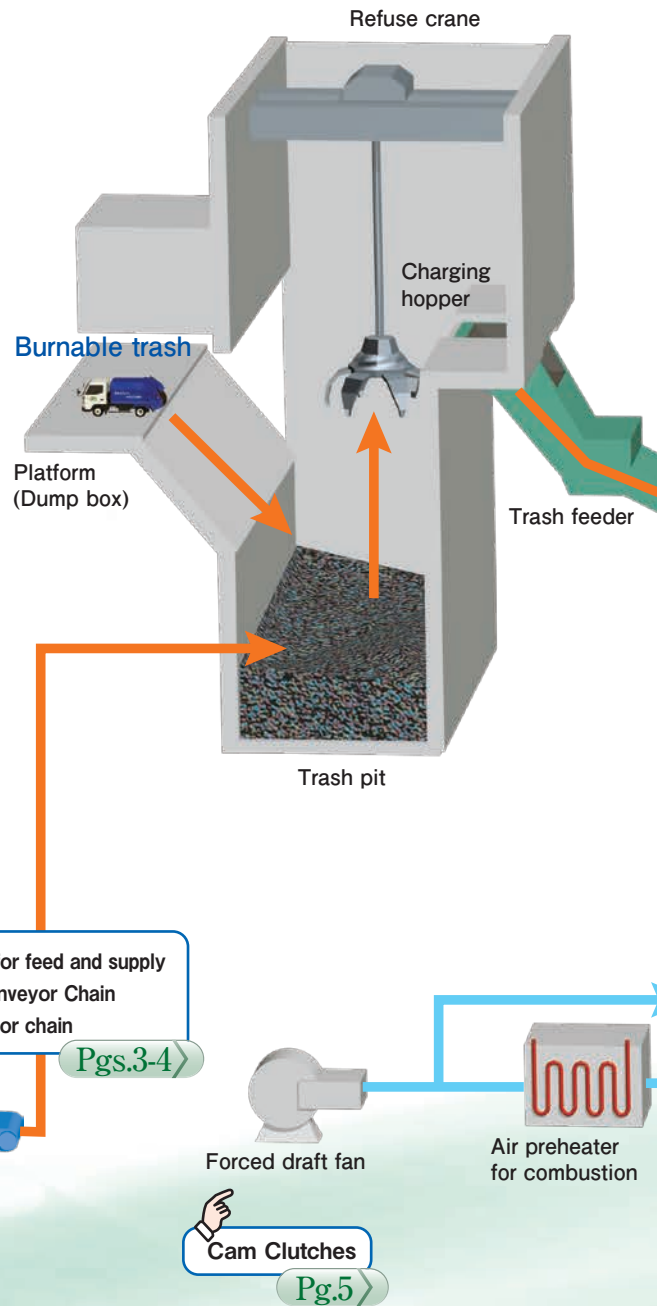
# Waste Treatment Flow

You'll find a variety of Tsubaki products at work in the non-i

## Crushing, Sorting, and Recycling



## Waste Incineration



- Refuse flow →
- Air flow →
- Ash flow →

### Drive

- RS® Roller Chain
- Corrosion resistant drive chain
- Roller chain couplings

### Overload protection

- Shock Relay®
- Shock Monitor®

### Cable and hose support/guidance

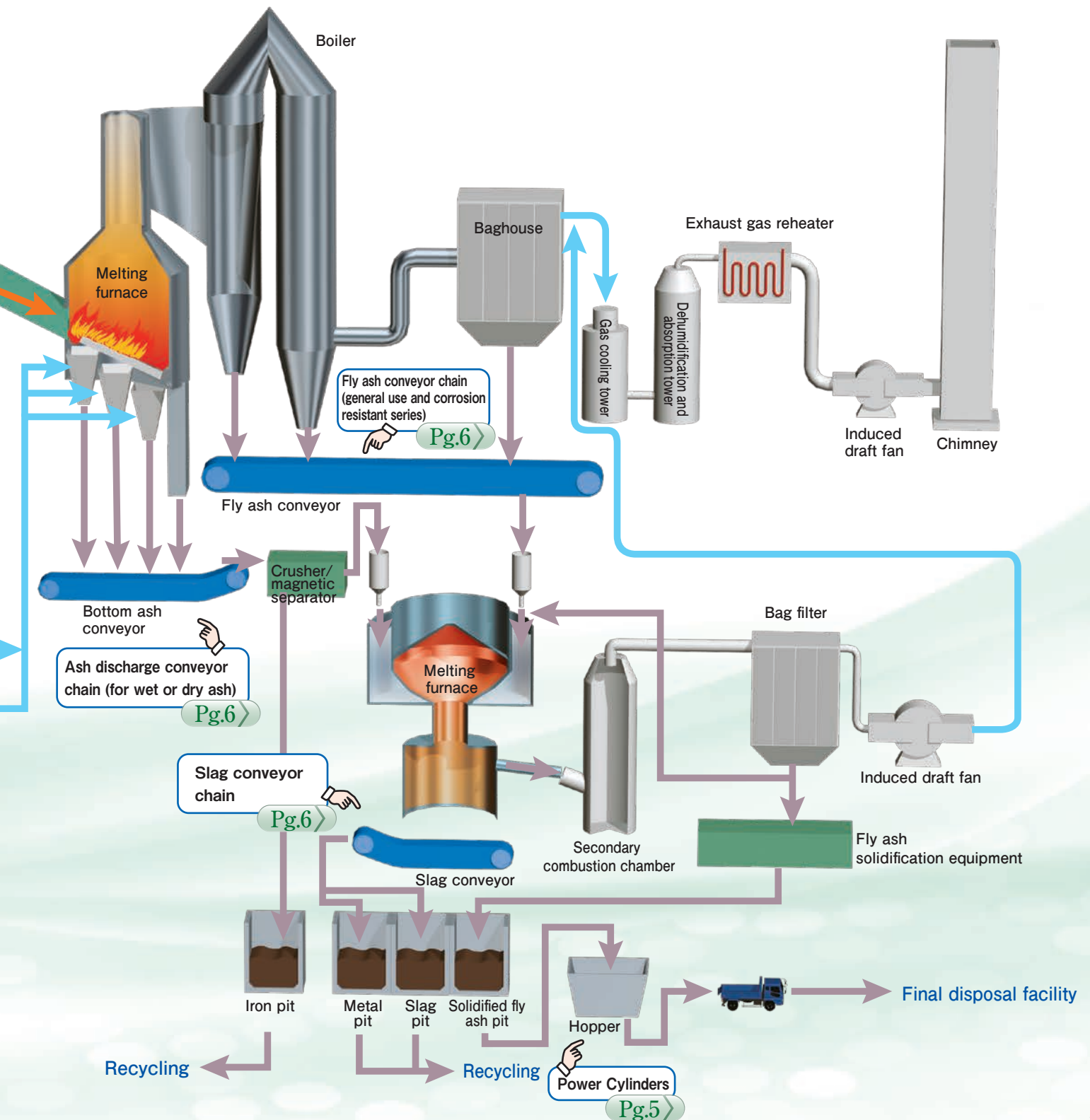
- Steel Cableveyors

Pgs.7-8



# Industrial waste (trash) treatment process.

You'll find Tsubaki being used throughout waste incineration plants, from initial receipt of burnable and non-burnable bulky trash to ash conveyance and slagging. We use the know-how, quality, and engineering accumulated since our founding in 1917 to provide our customers with perfect solutions and products for their lines and equipment. Tsubaki is committed to the environment and recycling.



# Crushing, Sorting, and Recycling Equipment

**Bulky Trash Feed Conveyor**



**Crushed Matter Conveyor**



**Non-burnable Trash Conveyor**



**Crusher Feed Conveyor**



## Conveyor Chains for Receiving and Feeding



This conveyor chain has been specially designed for the initial conveyors that convey collected trash. They are designed to withstand the wear caused by the different kinds of trash as well as against the impacts of loading.

## Bearing Roller Conveyor Chain



Conventional Specifications

Bearing Roller Conveyor Chain features a unique construction of cylindrical bearings inside the roller. Tsubaki offers dust resistant, water resistant, and lube-free series as well.

Standard conveyor chain



Bearing Roller Functions

1. Reduces chain running resistance (1/3 that of standard conveyor chain)
2. Greatly increases roller allowable load

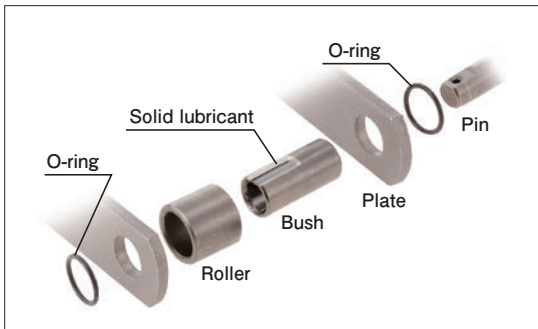
Bearing Roller Conveyor Chain



Bearing Roller Effects

1. Reduces chain load and required kW
2. Prevents stick-slipping on long conveyors at low speed operation
3. Suppresses poor roller rotation and decreases rail wear
4. Improved dust resistant capabilities

## FB Series Conveyor Chain



A solid lubricant has been bonded between the pins and bushes, and an O-ring has been fitted between links.

### Merits

The solid lubricant minimizes chain (pitch) elongation, while the O-rings help prevent conveyed material from infiltrating between pins and bushes and prevent the solid lubricant from escaping. This allows FB Series to achieve double the chain life.

## Large Conveyor Chain Sprockets - Split Sprockets

For areas where attaching or removing sprockets is difficult due to equipment layout, we offer a sprocket that can be replaced without having to remove bearing parts around the shaft. This can help reduce maintenance times and costs.



Split Series



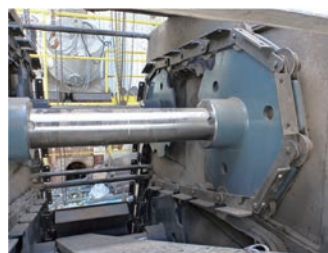
Replaceable Tooth Insert Sprocket



Ring-type Replacement Tooth Insert Series

## Sprocket and Shaft Delivery Service

Let Tsubaki handle troublesome shaft finishing and sprocket phase alignment for you with our sprocket and shaft set delivery service.





# Waste Incineration Facilities

## Hoppers



## Platforms (Dumping Boxes)



## Power Cylinder

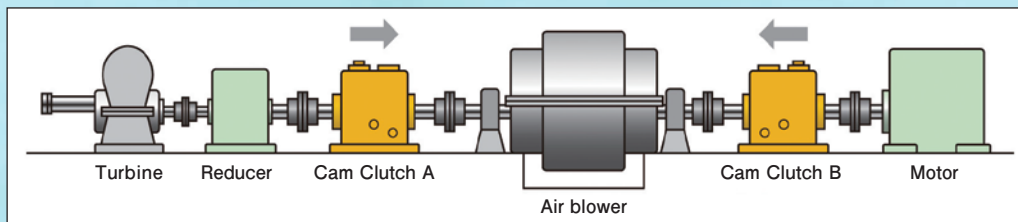


The Tsubaki T Series Power Cylinder is a strong thrust type Power Cylinder that can be used with AC (alternating current) power. We offer a complete line-up to match any application, thrust, or speed needs.

Thrust force: 2.45 – 313kN{250 – 32000kgf} Max. stroke: 2000mm

All Power Cylinders use a brake motor to provide reliable load support for safe operation. Heat resistant brake motors and for high temperature applications are also available.

## Forced Draft Fan



Cam Clutch B engages when the main motor drives the fan, while Cam Clutch A idles. The opposite occurs when the steam turbine drives the fan using surplus steam.

## Cam Clutch Box



### Features

The Cam Clutch is housed in a protective casing for continuous high speed idling operation.

### Applications

For continuous high speed idling operation.

Also ideal for energy saving fans and energy recovery pumps.

## Bottom Ash Conveyors



### Bottom ash (dry/wet) conveyor chain

This conveyor chain is specially designed for bottom ash conveyors and helps prevent problems with articulation, roller rotation, and wear problems stemming from bottom ash. Wet type chains (where the chain conveys bottom ash that has been dropped into water for cooling) also feature increased corrosion resistance.

## Fly Ash Conveyor



### Fly ash (normal and corrosive) conveyor chain

This conveyor chain is specially designed for conveying fine, highly abrasive ash (fly ash) generated in the boiler or collected by dust collectors, and helps prevent problems with articulation, roller rotation, and wear stemming from fly ash. Features increased resistance to corrosion from additives ash as well.

## Slag Conveyor



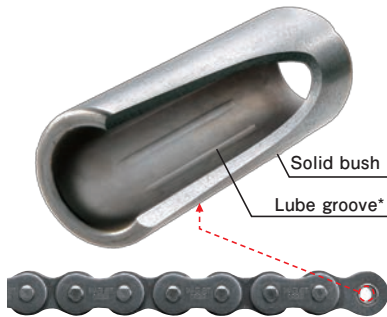
### Slag conveyor chain

This conveyor chain is specially designed for conveying waste and ash that have been fused and solidified into slag. Features wear resistance to molten slag and corrosion resistance to changes in water quality (pH).



# Other Products for the Waste Treatment Industry

## G8 RS<sup>®</sup> Roller Chain



Tsubaki developed a seamless solid bush using our unique processing expertise. The high-precision solid bush and special lube grooves increase the retention of lubricant and doubles the wear life.

Tsubaki developed a rust preventative pre-lube that minimizes tackiness, a common request from our customers. The new G8 Series also has 1.2 times longer wear life than G7.

\*Lube groove solid bushes are only available for RS80 to RS140.



## Corrosion Resistant Drive Chains

Stainless steel and surface treated drive chains offer greater corrosion resistance than general use drive chains.



Rough comparison of features

High strength

### AS Series

Stainless steel chain with 1.5x the allowable load of SS Series

### SS Series

Basic stainless steel chain (SUS304 equivalent)

### NS Series

Stainless steel chain with superior corrosion resistance to SS Series

High corrosion resistance

### LSC Series

A lube-free, long life stainless steel chain with a special engineering plastic sleeve insert.

### Neptune<sup>™</sup> Series

A specially surface treated RS Roller Chain. This eco-friendly highly corrosion resistant chain uses no harmful chromium.



## Shock Relay<sup>®</sup>, Shock Monitor<sup>®</sup>

Quickly detects overcurrents during overloads, preventing damage to the equipment.

### Merits

Can be housed in controls panels – eliminates worries of fly ash causing poor operation.



## Roller Chain Coupling

A flexible coupling with two strands of solid roller chains manufactured especially for couplings wrapped around two sprockets. Can be used on conveyors and a variety of drives.

### Features

1. Wide line-up
  - Transmission torque: 100N·m to 717kN·m
  - Bore diameter range: 9.5mm – 700mm
2. Excellent durability
3. Can be easily connected and disconnected
  - Tsubaki also offers various other couplings – let us recommend the perfect coupling for your needs.



## Steel Cableveyor<sup>®</sup>

Strong and tough, steel Cableveyors offer excellent durability. Exemplified by the TK Series, we process the supporter holes to match the diameters of your cables to provide top of the line cable guidance and protection. Stainless steel, rotating arrangements, and other made to order models available.



TK Series



TKF Series



TKS Series

Cableveyor<sup>®</sup> is a registered trademark of Tsubakimoto Chain Co.

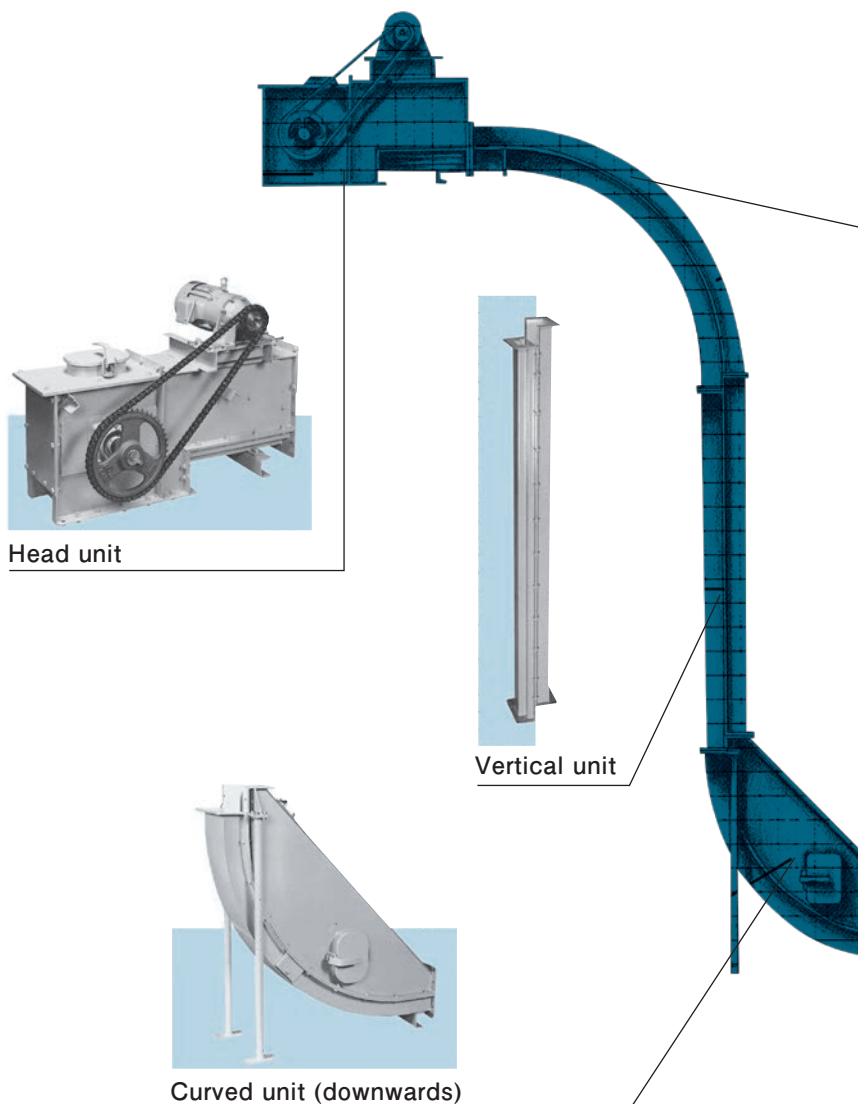
# Other Products for the Waste Treatment Industry

## Tsubaki NFV Flightveyor®

The Tsubaki NFV Flightveyor can transport general powder and grain, hard to convey material, and highly adhesive material with no problem. With its wide variety of layouts, and its tough yet easy to use features, the Flightveyor is finding use in more applications than ever.

### Principle of conveyance

Two strands of chain with flights attached run inside a sealed case in the horizontal area, while a bucket elevator operates vertical area, to reliably convey goods.



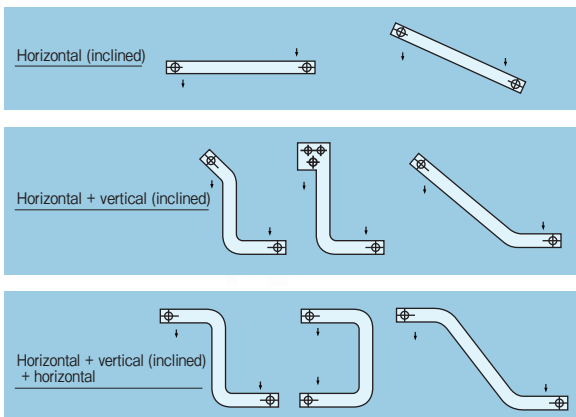
Head unit

Vertical unit

Curved unit (downwards)



### 1. Allows for freedom of layout

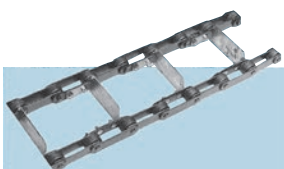


### 2. Compact and economical

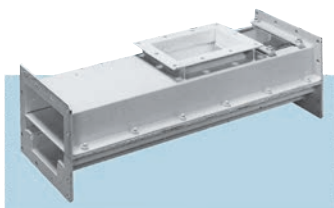
The conveying cross-section is small, and conveyed material is fed and discharged in the horizontal part, to allow for extremely compact equipment (even indoors) and easy installation.



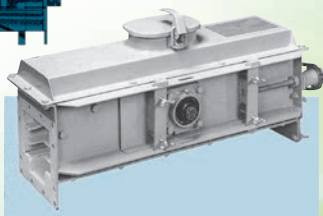
Curved unit (upwards) Angled unit (upwards)



Chain with flights



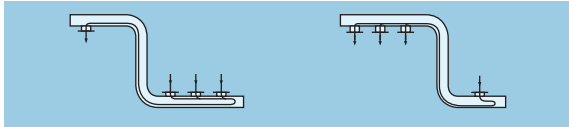
Feed unit



Tail unit

### 3. Flexibility in feed and discharge

Feed and discharge ports can be installed in several locations along the horizontal part.



### 4. Uses the ideal conveyor chain

A conveyor chain is an integral part of a conveyor. It runs in a tightly sealed case and uses flight attachments to convey material, which puts a lot of responsibility on the chain. Tsubaki uses its long history of success to provide the ideal chain for Flightveyors.

### 5. Inspection and maintenance are a snap

Easy-open windows are installed at strategic spots, and each case is able to be split, to make inspection and maintenance a snap.

### 6. Protects against dust and water

The entire conveyor is tightly sealed, so there is no damage from flying material or messes from escaping dust. It can be installed as-is outside as well.





## TSUBAKIMOTO CHAIN CO.

### Headquarters

Nakanoshima Mitsui Building  
3-3-3 Nakanoshima, Kita-ku  
Osaka 530-0005, Japan  
Phone : +81-6-6441-0011  
Facsimile : +81-6-6441-0489  
Internet:  
<http://tsubakimoto.com/>

### Chain Division

**Chain Sales Department**  
1-3 Kannabidai 1-chome  
Kyotanabe, Kyoto 610-0380, Japan  
Phone : +81-774-64-5023/4  
Facsimile : +81-774-64-5212

For further information please  
contact the Chain Division.

### Global Associated Partners:

#### NORTH and SOUTH AMERICA

##### U.S. TSUBAKI, INC.

301 E. Marquardt Drive  
Wheeling, IL 60090-6497  
U.S.A.  
Phone : +1-847-459-9500  
Facsimile : +1-847-459-9515

##### TSUBAKI Brasil

**Equipamentos Industriais Ltda.**  
R. Pamplona, 1018 - C.J. 73/74  
Jd. Paulista - 01405-001  
São Paulo - S.P. Brazil  
Phone : +55-11-3253-5656  
Facsimile : +55-11-3253-3384

##### TSUBAKI of CANADA LIMITED

1630 Drew Road  
Mississauga, Ontario, L5S 1J6  
Canada  
Phone : +1-905-676-0400  
Facsimile : +1-905-676-0904

#### EUROPE

##### TSUBAKIMOTO EUROPE B.V.

Aventurijn 1200, 3316 LB Dordrecht  
The Netherlands  
Phone : +31-78-6204000  
Facsimile : +31-78-6204001

##### TSUBAKIMOTO U.K. LTD.

Osier Drive, Sherwood Park  
Annesley, Nottingham  
NG15 0DX U.K.  
Phone : +44-1623-688-700  
Facsimile : +44-1623-688-789

##### TSUBAKI DEUTSCHLAND GmbH

Münchner Straße 135, D-85774  
Unterföhring, Germany  
Phone : +49 (0)89 2000 13380

##### TSUBAKI IBÉRICA S.L.

Calle de Juan de la Cierva 28, 28823  
Coslada-Madrid, Spain  
Phone : +34 911 873 450  
Facsimile : +34 911 873 451

#### ASIA and OCEANIA

##### TAIWAN TSUBAKIMOTO CO.

No. 33, Lane 17, Zihciang North Road  
Gueishan Township, Taoyuan County  
Taiwan  
Phone : +886-33-293827/8/9  
Facsimile : +886-33-293065

##### TSUBAKIMOTO SINGAPORE PTE. LTD.

25 Gul Lane  
Jurong  
Singapore 629419  
Phone : +65-6861-0422/3/4  
Facsimile : +65-6861-7035

##### Tsubakimoto Chain (Shanghai) Co., Ltd.

Room 601, Urban City Centre, 45 Nanchang  
Road, Huangpu District, Shanghai 200020  
People's Republic of China  
Phone : +86-021-5396-6651/6652  
Facsimile : +86-021-5396-6628

##### TSUBAKI INDIA

**POWER TRANSMISSION PVT. LTD.**  
Chandrika Chambers No.4, 3rd Floor,  
Anthony Street, Royapettah, Chennai,  
Tamil Nadu 600014 India  
Phone : +91-44-4231-5251  
Facsimile : +91-44-4231-5253

##### PT. TSUBAKI INDONESIA TRADING

Wisma 46 - Kota BNI, 24th Floor,  
Suite 24.15, Jl. Jend. Sudirman, Kav. 1,  
Jakarta 10220 Indonesia  
Phone : +62-21-571-4230/31  
Facsimile : +62-21-571-4232

##### TSUBAKI AUSTRALIA PTY. LIMITED

Unit E, 95-101 Silverwater Road  
Silverwater, N.S.W. 2128  
Australia  
Phone : +61-2-9704-2500  
Facsimile : +61-2-9704-2550

##### Tsubakimoto (Thailand) Co., Ltd.

388 Exchange Tower, 19th Floor, Unit 1902,  
Sukhumvit Road, Klongtoey, Bangkok 10110  
Thailand  
Phone : +66-02-262-0667/9  
Facsimile : +66-02-262-0670

##### Tsubakimoto Chain Co., Korea Office

#1401, West Wing, Hanshin Intervalley 24,  
707-34, Yeoksam 2(i)-dong,  
Gangnam-gu, Seoul  
Republic of Korea  
Phone : +82-2-2183-0311  
Facsimile : +82-2-2183-0314

##### TSUBAKI AUSTRALIA PTY LIMITED - NEW ZEALAND BRANCH

2 Kalmia Street,  
Ellerslie, Auckland 1051  
New Zealand  
Phone : +64-9-914-1841  
Facsimile :

##### TSUBAKIMOTO SINGAPORE PTE. LTD. VIETNAM REPRESENTATIVE OFFICE

H&H Building 8F, 209 Hoàng Văn Thụ,  
Phú Nhuận District,  
Hố Chí Minh City, Vietnam  
Phone : +84-8-3999-0131/2  
Facsimile : +84-8-3999-0130